

MOOG® Complete Pre-Assembled Steering Linkage

Easy to Install, Saves Time

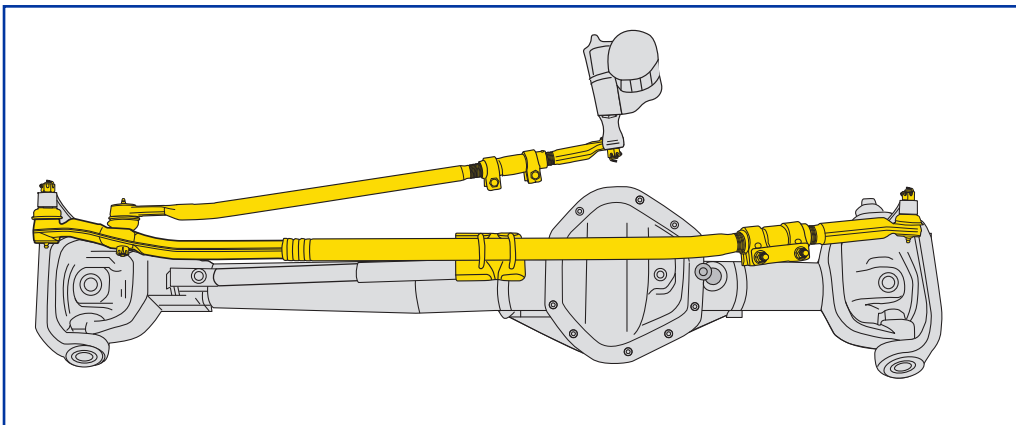
The MOOG® Complete Pre-Assembled Steering Linkage is an easy-to-install product that saves time by eliminating the need to identify, source and assemble all the individual parts required. Just as important, this MOOG steering linkage features premium quality materials that provide strength and durability for long-lasting performance and alignment – reducing tire wear and improving steering.

These assemblies are designed to be direct steering linkage replacements.

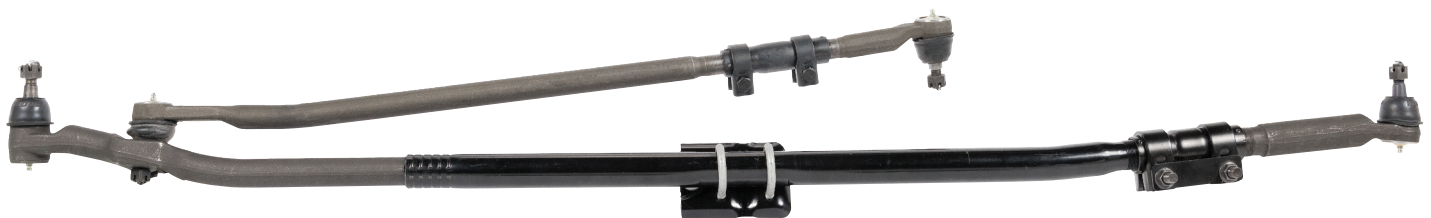
The MOOG® Complete Pre-Assembled Steering Linkage includes:

All necessary MOOG® Tie Rod Ends, which feature:

- MOOG Problem Solver® gusher bearing technology and greaseable design.
- MOOG patented pressed-in cover plate design and Belleville washer, ensuring proper preload and consistent socket torque for the life of the part.



Premium components come pre-assembled for quick and easy installation. Simply install the complete linkage and set the alignment.



moogparts.com

See reverse side for applications.

MOOG

The Problem Solver®

MOOG® Complete Pre-Assembled Steering Linkage Applications

DS300059A 1999-2013 GM Full Size Trucks
(various models- see www.fme-cat.com for specific applications)



DS800980A 2003-2008 Dodge Ram 2500/3500 4x4



Includes Pitman arm and steering stabilizer

Complete upgrade kit to convert older "Y-style" linkage to improved "T-style" linkage.

DS800981A 2009-2013 Dodge Ram 2500/3500 4x4



Steering stabilizer SSD132*

Direct replacement linkage for newer "T-style" linkage. For older "Y-style" linkage, MOOG recommends DS800980A.

DS800982A 2007-2017 Jeep Wrangler



DS800983A 1992-2005 Ford E-150 Econoline



DS800984A 1992-2006 Ford E-250 / E-350



*Steering Stabilizer not included, available separately.

For parts lookup, visit: www.fme-cat.com
Tech line: 1-800-325-8886

moogparts.com

FEDERAL-MOGUL
MOTORPARTS
Parts Matter™

©2018 Federal-Mogul Motorparts LLC. All other trademarks shown are owned by Federal-Mogul LLC, or one or more of its subsidiaries, in one or more countries. All other trademarks shown are the property of their respective owners. #MG181195

MOOG

The Problem Solver®