

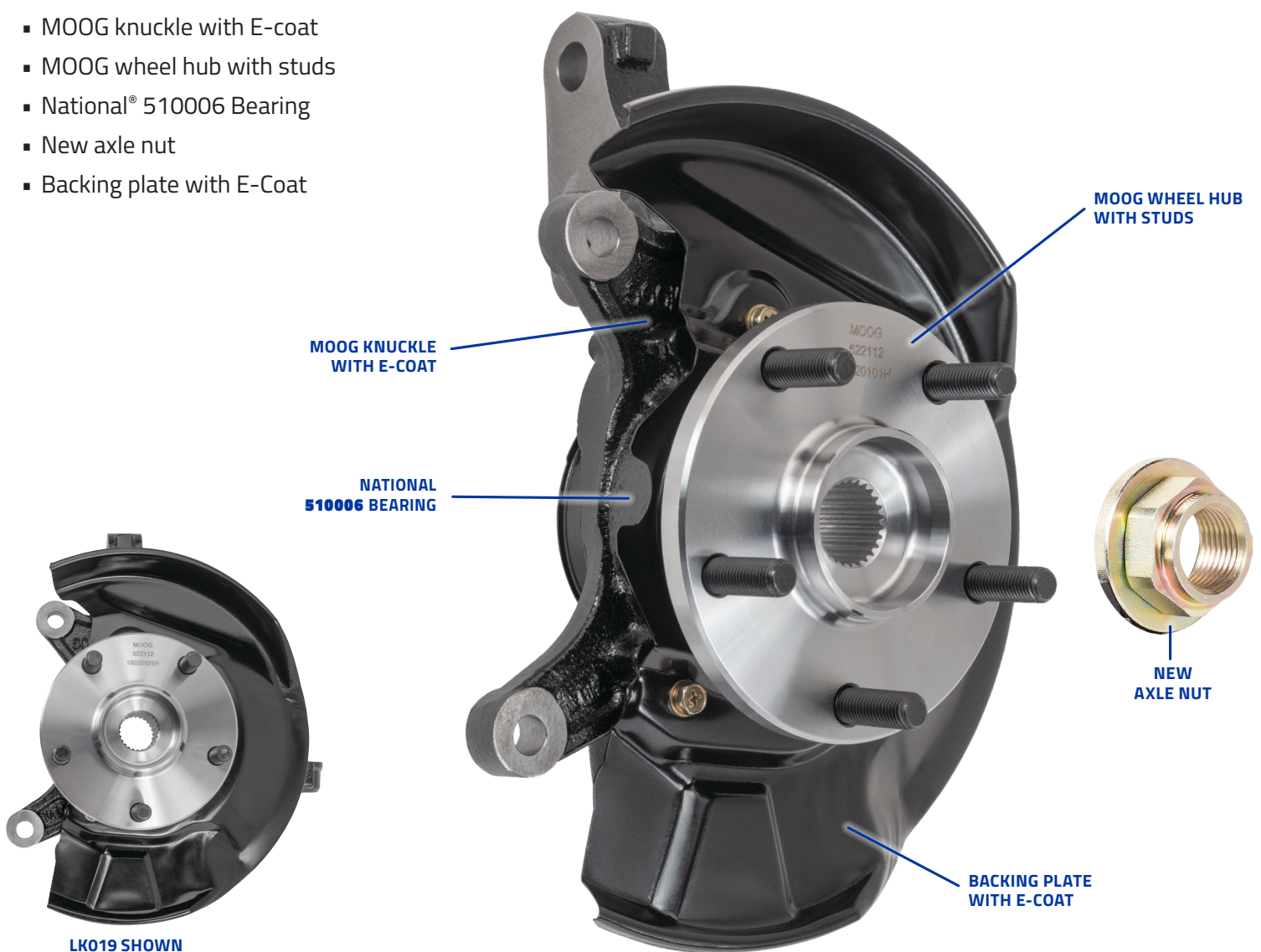
MOOG® Complete Knuckle Assembly

LK019/LK020– Toyota Camry 1992-2001, 4-cyl Front

The LK019/LK020 pre-assembled parts eliminate the need for special tools or a press, resulting in easier installation and time savings of up to 50%. Pre-assembled unit includes the following premium components:

- MOOG knuckle with E-coat
- MOOG wheel hub with studs
- National® 510006 Bearing
- New axle nut
- Backing plate with E-Coat

PART #	PLACEMENT	APPLICATION	VIO
LK019	Left Front	Toyota: Camry (1992-2001, 4-cyl)	1,491,699
LK020	Right Front		



For parts lookup, visit: www.fme-cat.com
 Tech line: 1-800-325-8886

moogparts.com

FEDERAL-MOGUL
 MOTORPARTS
 Parts Matter™



The Problem Solver®